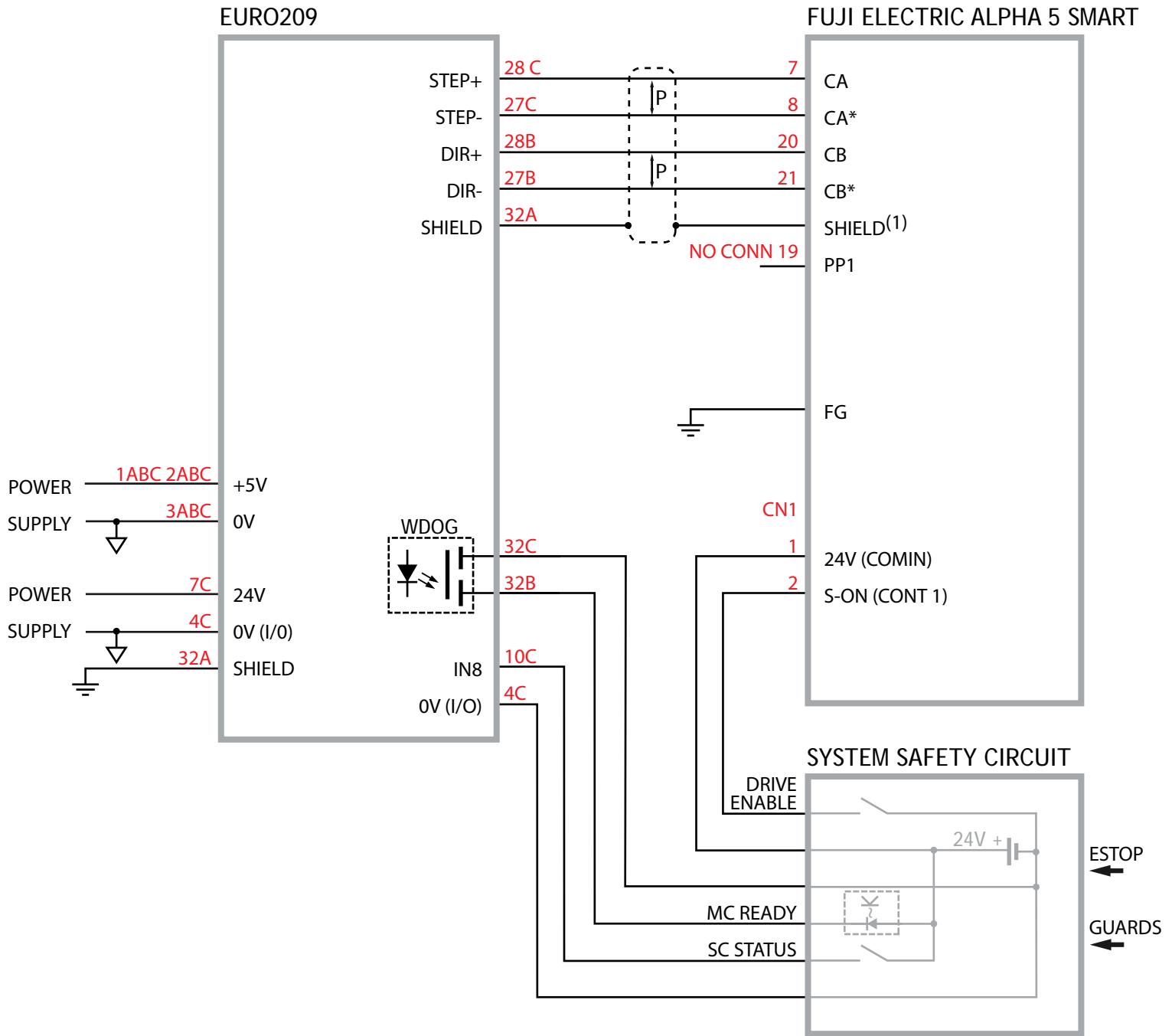


EXAMPLE OF TYPICAL SIGNAL CONNECTIONS STEPPER / PULSE + DIRECTION



Axis 0 connections shown as example. See manual for Axes 1, 2 and 3 pin numbers.
 (1) Connect shield wire securely to the plate inside the connector.
 (2) No "Hot Plugging" with power on.